

FRONT MOUNTED ROTARY OPERATOR STANDARD  
IEC IP30/40 ACCESSORY FOR: 3VA2 400/630



Model		
product brand name		SENTRON
Design of handle		Gray
Protection class IP		IP30
Product details		
Product component / axis extension		No
Product feature / lockable		Yes
Accessories		
accessories		Direct rotary operating mechanism
Height	mm	93.5
Depth	mm	106
General Product Approval	Declaration of Conformity	other

[sonstig](#)



## Further information

### Information- and Downloadcenter (Catalogs, Brochures,...)

<http://www.siemens.com/lowvoltage/catalogs>

### Industry Mall (Online ordering system)

<https://eb.automation.siemens.com/mall/en/WW/Catalog/Product/3VA94670EK11>

### Service&Support (Manuals, Certificates, Characteristics, FAQs,...)

<http://support.automation.siemens.com/WW/view/en/3VA94670EK11/all>

### Image database (product images, 2D dimension drawings, 3D models, device circuit diagrams, ...)

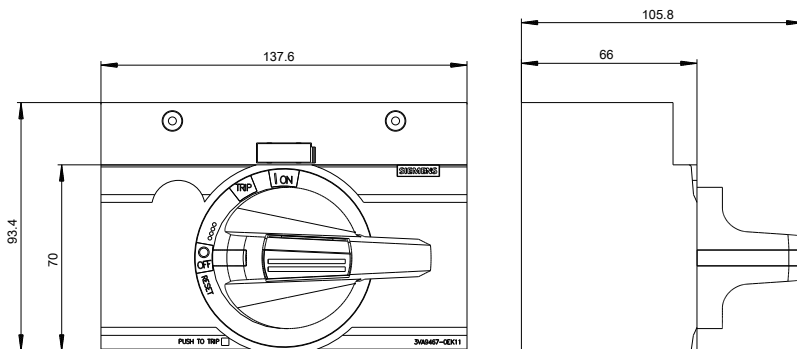
[http://www.automation.siemens.com/bilddb/cax\\_en.aspx?mfb=3VA94670EK11](http://www.automation.siemens.com/bilddb/cax_en.aspx?mfb=3VA94670EK11)

### CAX-Online-Generator

<http://www.siemens.com/cax>

### Tender specifications

<http://ausschreibungstexte.siemens.com/tiplv>



**last modified:**

13.04.2016